

Double Door Single Drawer Base ASSEMBLY INSTRUCTIONS

Getting started:

prepare a protection layer, a screwdriver

STEP 1 : Joint side panel with back panel

STEP 2 : Joint bottom panel with side panel

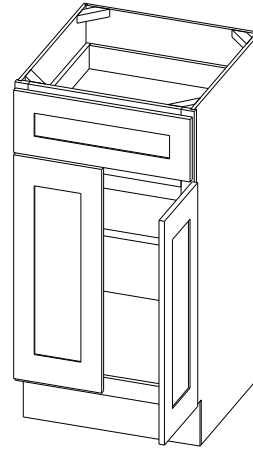
STEP 3 : Joint side panel with bottom & back panel

STEP 4 : Attach frame on and toekick board

STEP 5 : Joint the drawer together, then install the drawer guide.

STEP 6 : Attach the wood block on the top corner, and put on the adjustable shelf

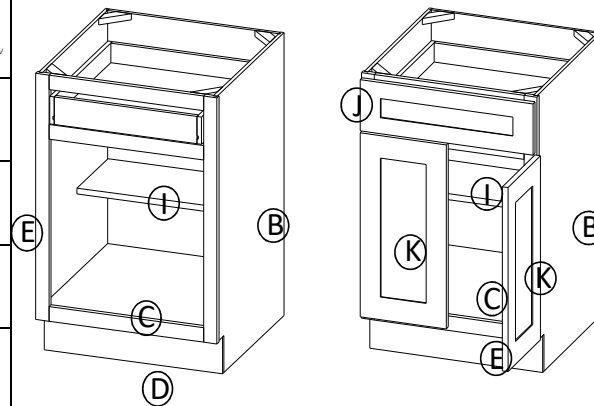
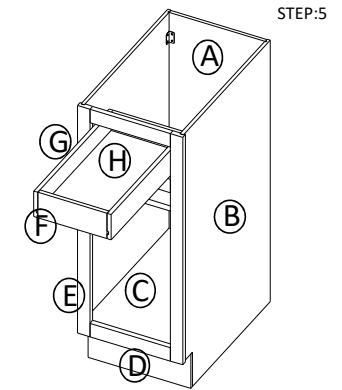
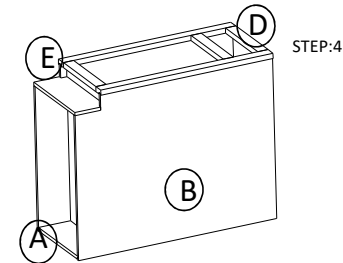
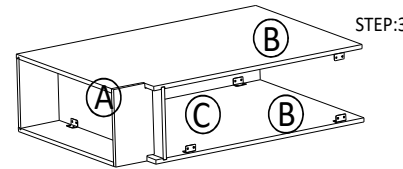
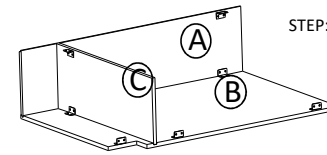
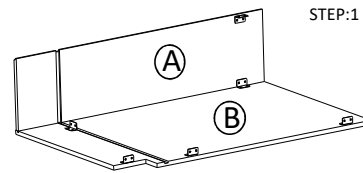
STEP 7 : Fix drawer head on the drawer front and fix door onto the frame and adjust the cover-space



PARTS LIST		
NO.	Description	QTY
A	BACK PANEL	1
B	SIDE PANEL	2
C	TOP&BOTTOM PANEL	1
D	TOE KICK	1
E	FACE FRAME	1
F	DRAWER BOX FRONT AND BACK	2
G	DRAWER BOX SIDE	2
H	DRAWER BOX BOTTOM	1
I	ADJUSTABLE SHELF	1
J	DRAWER HEAD	1
K	CABINETS DOOR	2

HARDWARE LIST

NO.	Description	QTY	PICTURE
11	SOFT CLOSE HINGE	4	
10	3/4" ROUND HEAD SCREW	4	 3/4" round head screw
9	BUMPER	8	 Bumper
8	1" ROUND HEAD SCREW	4	 1" round head screw
7	Selfclose slider	1	 Selfclose slider
6	SHELF CLIP	4	 Shelf clip
5	9/16" ROUND HEAD SCREW	44	 9/16" round head screw
4	CLEAT	11	 Cleat
3	1" FLAT HEAD SCREW FOR CARCASS	3	 1" flat head screw
2	WOOD BLOCK	4	 Wood block
1	1" FLAT HEAD SCREW FOR WOOD BLOCK	8	 1" flat head screw



Full extension concealed drawer runners

