

Single Door Wall Cabinet

ASSEMBLY INSTRUCTIONS

Getting started:

prepare a protection layer, a screwdriver

STEP 1: Joint side panel with back panel

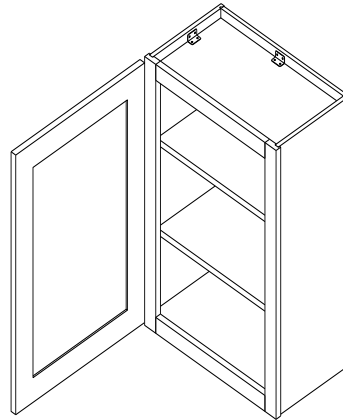
STEP 2: Joint top panel with side panel

STEP 3: Joint bottom panel with side panel

STEP 4: Attach frame on

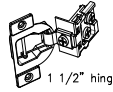


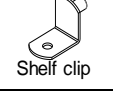

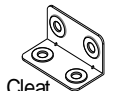

STEP 5: Put on the adjustable shelves

STEP 6: Fix door onto the frame and adjust the cover-space

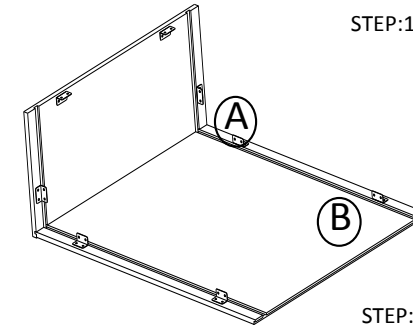


PARTS LIST		
NO.	Description	QTY
A	SIDE PANEL	2
B	BACK PANEL	1
C	TOP&BOTTOM PANEL	2
D	FACE FRAME	1
E	ADJUSTABLE SHELF	2 OR 3
F	CABINETS DOOR	1

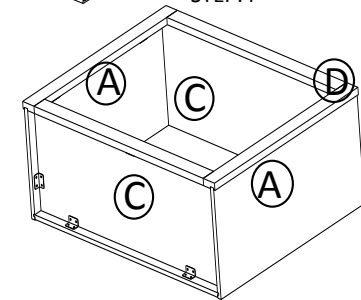
HARDWARE LIST

NO.	Description	QTY	PICTURE
7	1 1/2" SOFTCLOSE HINGE	2	
6	3/4" ROUND HEAD SCREW	2	
5	BUMPER	2	
4	SHELF CLIP	8	
3	9/16" ROUND HEAD SCREW	40	
2	CLEAT	10	
1	1" FLAT HEAD SCREW FOR CARCASS	4	

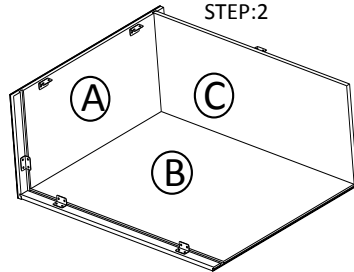
STEP:1



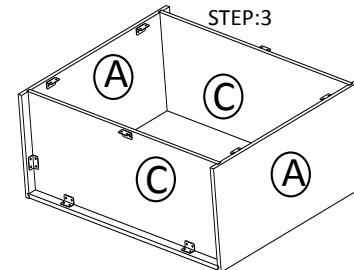
STEP:4



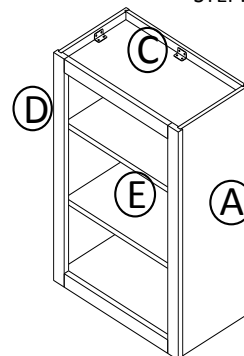
STEP:2



STEP:3



STEP:5



STEP:6

